

Number TOP 100 C Class Ductile Iron	Series TOP100 Trench Drain Grate TOP 100
--	---

Product Specifications

Part No.:
865-T4DI5CX

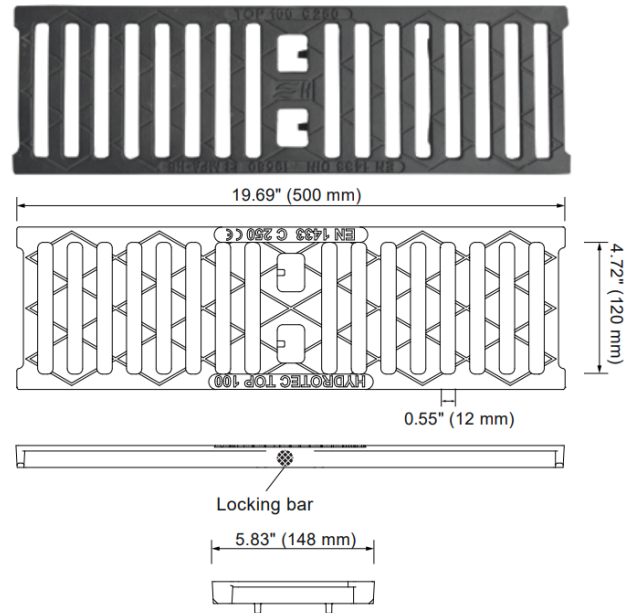
Load Class:
C250 (55,100 lbs) according EN 1433
Certified by MPA-HB (independent laboratories)

Material: Ductile Iron GJS-500-7 **Weight:** 8.4 lbs (3.81 kg)

Surface:
Slot design (0.55" x 4.72")
Slots ensure high water intake.

Locking: Patented boltless grate locking system **Water intake:** 87.4 sq/in (564 cm²/m)

Use:
This grate is developed for use with HydroTec TOP 100 channels made of fiber reinforced concrete with a galvanized steel edge protection.



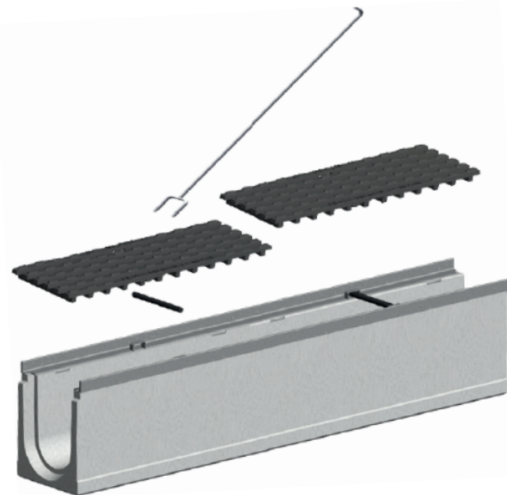
System Specifications

Grate Locking Tool (Part No. 865-TOOL):
The Grate Locking Tool is made of galvanized steel. It's used to lock and unlock the grate.

Grate:
The grate is made of ductile iron and certified to EN 1433 Load Class C250.

Locking Bar (Part No. 865-4LR):
Two locking bars fix the grate to the channel body. They're unlocked by the Grate Locking Tool .

TOP 100 Channel:
The channel body is made of fiber reinforced concrete with a ductile iron edge protection. Connecting profiles at the end of the channel guarantee an easy and fast installation.



Manufacturer



Specification

HYDROTEC TOP 100 SERIES FIBER REINFORCED CONCRETE WITH A GALVANIZED STEEL EDGE 4" WIDTH DRAINAGE CHANNEL. WITH SLOPE , SUPPLIED BY TRENCH DRAIN SUPPLY.

DISCLAIMER - The customer and the customer's architects, engineers, consultants, and other professionals are completely responsible for the selection installation and maintenance of any product purchased from Trench Drain Supply and/or its manufacturers. TRENCH DRAIN SUPPLY MAKES NO WARRANTY, EXPRESS OR IMPLIED, AS TO THE SUITABILITY, DESIGN, MERCHANTABILITY, OR FITNESS OF THE PRODUCT FOR CUSTOMERS APPLICATION. The drawing and information provided remain the property and copyright of the manufacturer listed. The manufacturer reserves the right to modify specification without notice.